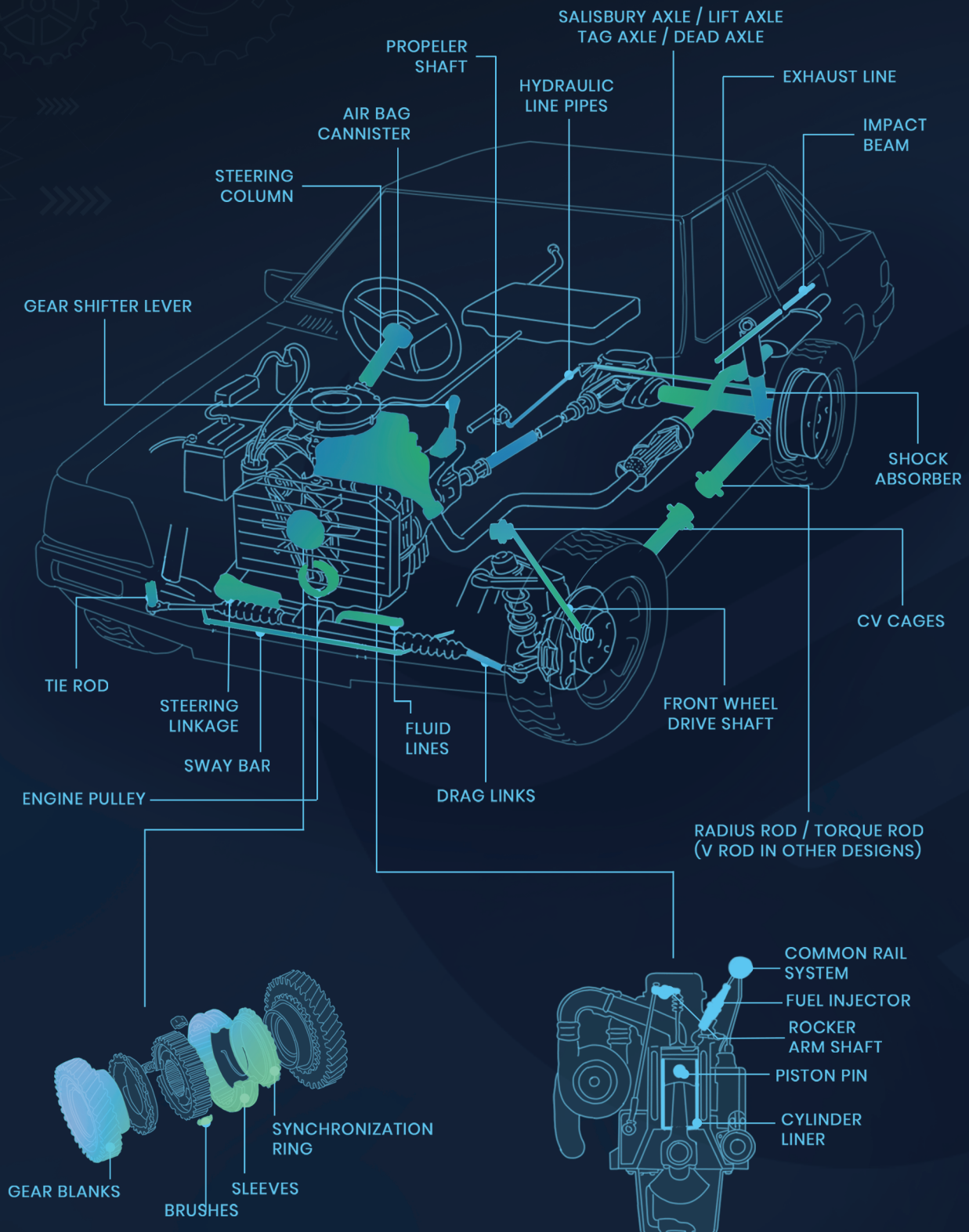
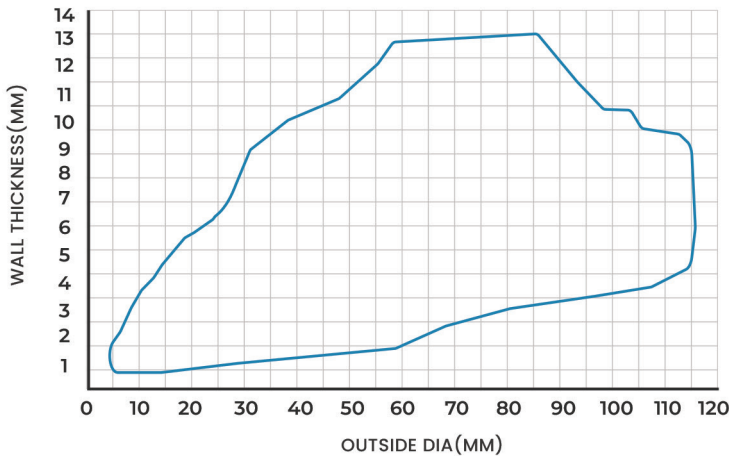


LBST TUBE USED IN VARIOUS AUTOMOBILE APPLICATION



DIA - THICKNESS GRAPH



AUTO GRADES

SAE 1012	SAE 1035
SAE 1045	SAE 1541
SAE 4140	16MNCr5
SAE 4130	20MNCr5
SAE 1020	SCM415
ST 52	SAE8620
SAE 1026	20MNV6

CERTIFICATION :



ISO 9001 : 2015



ISO 14001 : 2015



ISO 45001 : 2018



BIS LICENCE



EIL CERTIFICATE



IATF 16949



RDSO APPROVAL



PED CERTIFICATE



NABL CERTIFICATE

OUR CLIENTS :

AITG MARATHWADA
AUTO COMPO PVT LTD

ZF INDIA
ZF STEERING GEAR (INDIA) LIMITED

EMKAY FORGINGS

talbroS | **MARELLI**

JMFI | **JMFI PRECISION PRODUCTS**
Value delivered. Always

VARSHA

Brakes India Limited

AUTOTECH
Manufacturers of Automotive components and assemblies

Automotive Axles Limited

EMARKONS
AUTO COMPONENTS PVT. LTD.

Imperial auto

UNIPART GROUP



lalbabagroup.com